

Latches

**Stainless Steel, Operation with Socket Keys,
Protection Class IP 69k**

SPECIFICATION

Types

- Type **AD7**: With three exterior flats
- Type **AV8**: With four exterior flats
- Type **AZ13**: With two exterior flats

Stainless steel

- AISI 304 **NI**
- AISI 316 **A4**

Seals

- Acrylonitrile butadiene rubber (NBR)
- Silicone rubber (MVQ)

Temperature resistant from -30 °C to 100 °C

Protection class IP 69k

INFORMATION

Latches GN 115 lock by a turning operation limited to 90° which moves the latch arm in the locked position behind the door frame. The bevels of the latch arm ease the closing of the door.

Thanks to the stainless steel materials used, the latches are optimally suited for use in corrosive environments. Thanks to multiple seals, the parts have the highest protection rating of IP 69k. The latches also satisfy the basic hygiene requirements according to DIN 1672-2 and DIN 14159.

Latch arms are available in a variety of bend angles to cover a latch arm distance A from 6 to 50 mm (version NI) and from 6 to 28 mm (version A4).

Latches GN 115 are supplied with loosely enclosed latch arm.

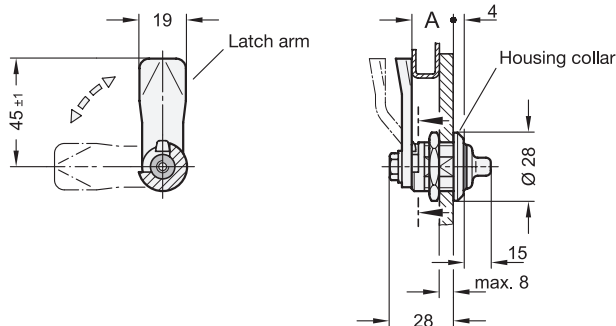


ACCESSORY

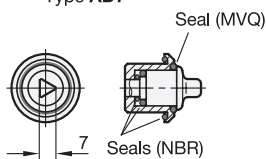
- Socket Keys GN 119.2 (see page 1530) (for type AD7 and AV8)
- Socket Keys GN 1151 (see page) (for type AZ13)
- Protective Guide Plates GN 120.2 (see page 1479)
- Internal Cabinet Handles GN 120.3 (see page)
- Sheet Metal Punches GN 123 (see page 1493)

TECHNICAL INFORMATION

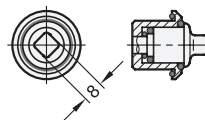
- IP Protection Classes (see page A23)
- Plastic Characteristics (see page A2)
- Stainless Steel Characteristics (see page A26)



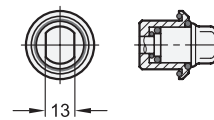
Type **AD7**

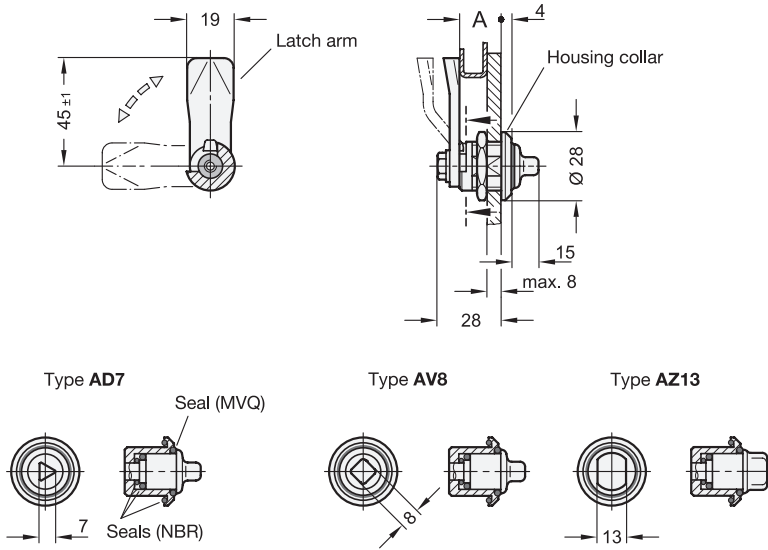


Type **AV8**



Type **AZ13**





GN 115-IP-AD7 **STAINLESS STEEL**

Description	Latch distance A	⚖
GN 115-AD7-6-A4	6	111
GN 115-AD7-10-A4	10	112
GN 115-AD7-14-A4	14	112
GN 115-AD7-18-A4	18	113
GN 115-AD7-20-A4	20	113
GN 115-AD7-22-A4	22	114
GN 115-AD7-24-A4	24	114
GN 115-AD7-26-A4	26	115
GN 115-AD7-28-A4	28	115
GN 115-AD7-6-NI	6	111
GN 115-AD7-10-NI	10	112
GN 115-AD7-14-NI	14	112
GN 115-AD7-18-NI	18	113
GN 115-AD7-20-NI	20	113
GN 115-AD7-22-NI	22	114
GN 115-AD7-24-NI	24	114
GN 115-AD7-26-NI	26	115
GN 115-AD7-28-NI	28	115
GN 115-AD7-30-NI	30	116
GN 115-AD7-34-NI	34	116
GN 115-AD7-38-NI	38	117
GN 115-AD7-40-NI	40	117
GN 115-AD7-50-NI	50	120

GN 115-IP-AV8 **STAINLESS STEEL**

Description	Latch distance A	⚖
GN 115-AV8-6-A4	6	111
GN 115-AV8-10-A4	10	112
GN 115-AV8-14-A4	14	112
GN 115-AV8-18-A4	18	113
GN 115-AV8-20-A4	20	113
GN 115-AV8-22-A4	22	114
GN 115-AV8-24-A4	24	114
GN 115-AV8-26-A4	26	115
GN 115-AV8-28-A4	28	115
GN 115-AV8-6-NI	6	111
GN 115-AV8-10-NI	10	112
GN 115-AV8-14-NI	14	112
GN 115-AV8-18-NI	18	113
GN 115-AV8-20-NI	20	113
GN 115-AV8-22-NI	22	114
GN 115-AV8-24-NI	24	114
GN 115-AV8-26-NI	26	115
GN 115-AV8-28-NI	28	115
GN 115-AV8-30-NI	30	116
GN 115-AV8-34-NI	34	116
GN 115-AV8-38-NI	38	117
GN 115-AV8-40-NI	40	117
GN 115-AV8-50-NI	50	120

GN 115-IP-AZ13 **STAINLESS STEEL**

Description	Latch distance A	⚖
GN 115-AZ13-6-A4	6	119
GN 115-AZ13-10-A4	10	119
GN 115-AZ13-14-A4	14	119
GN 115-AZ13-18-A4	18	120
GN 115-AZ13-20-A4	20	120
GN 115-AZ13-22-A4	22	120
GN 115-AZ13-24-A4	24	121
GN 115-AZ13-26-A4	26	121
GN 115-AZ13-28-A4	28	121
GN 115-AZ13-6-NI	6	119
GN 115-AZ13-10-NI	10	119
GN 115-AZ13-14-NI	14	119
GN 115-AZ13-18-NI	18	120
GN 115-AZ13-20-NI	20	120
GN 115-AZ13-22-NI	22	120
GN 115-AZ13-24-NI	24	121
GN 115-AZ13-26-NI	26	121
GN 115-AZ13-28-NI	28	122
GN 115-AZ13-30-NI	30	123
GN 115-AZ13-34-NI	34	125
GN 115-AZ13-38-NI	38	128
GN 115-AZ13-40-NI	40	129
GN 115-AZ13-50-NI	50	135

